

SETUP AND OPERATION QUICK-REFERENCE GUIDE

NEW DIEGO ELITE SYSTEM. WITH A TWO-YEAR MANUFACTURER'S WARRANTY.

■ **Two surgeon-inspired ergonomics Multidebrider handpieces**

Both Multidebrider handpieces meet the CSF requirements. They are compatible with automatic washer/disinfectant machines as described in the instructions for use (IFU) as well as with autoclave sterilization (see IFU).

- 1 Setup:** Ensure the console and the optional suction module are properly assembled onto an IV pole before use.



Setup with suction module



Setup without suction module

- 2 Power ON:** When using the Olympus suction module (EGMDSM220V) the suction is activated using the console touch screen.

Turn suction ON

Turn the console ON



- 3 Attach tube set:** When using the declog tube set, be sure to preassemble the pressure bulb and tubing prior to starting the procedure. Slide either tube set onto the back of the handpiece. Listen for the "click." Attach the blue suction connection to the suction canister.



Two tube-set choices



Declog



Standard

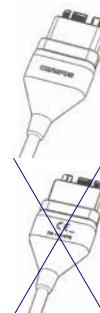


- 4 Attach a blade or burr:** Press the two release buttons on the sides of the handpiece to secure it in place. The type of blade or burr chosen will determine the default factory settings shown on screen. Press (+) or (-) to adjust.



Release buttons on either side

- 5 Connect accessories:** Connect the handpiece. Connect the grounding pad (if using a monopolar blade). Connect the foot switch (red dot to red dot).



Connect foot pedal (red dot to red dot)



Connect the hand-piece
Connect the grounding pad (if using a monopolar blade)

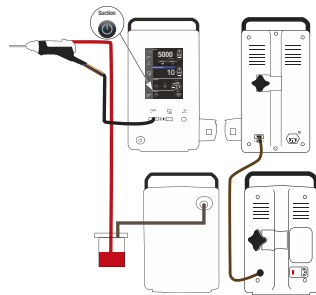
- 6 Attach tubing to the suction source.**

SETUP AND OPERATION – QUICK-REFERENCE GUIDE

- 7 Attach irrigation:** Lift the top of the pump and ensure the black sleeve of the irrigation tubing is centered. It is important to ensure that enough tubing is left to reach the IV bag. Close the top. Thread the tubing up through the keeper on the side of the console. Hang fluid, spike the bag, and press “Prime” on the console.



- 8** Ensure the communication cable between the console and suction module is connected. Power cord(s) need to be attached to the back of the unit(s) and wall outlet(s).



If using the Olympus suction module, insert the filter end of the Olympus suction tubing (EGTS102SF) into the suction connection on the front of the optional suction module. Attach the blue suction connector at the other end of the suction tubing to the suction canister.

- 9 Activation:** The foot pedal activates the handpiece for cutting and drilling.



- 10** “Ready” appears when setup is complete.

Cutting active:
A green background appears behind max RPM while the foot switch is being pressed.

RF active:
A blue background appears behind RF power when the blue RF activation button on the blade is pressed.

When both cutting and RF are activated, both backgrounds illuminate.



- 11 Clogging:** Depending on the tubing you are using, you have two options.



The declog tube set requires bulb assembly prior to the start of the procedure. Ensure that the blade window is fully submerged in water before activating the bulb.

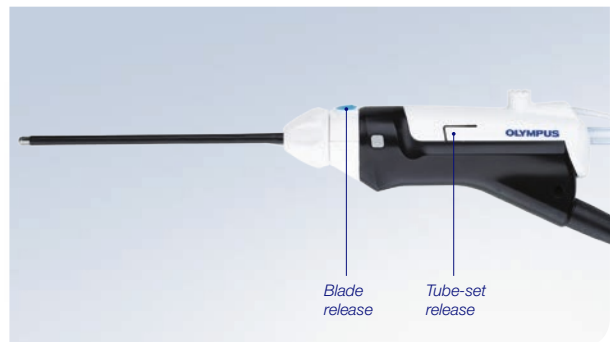


Stylets are packaged with standard tube sets. Apply gentle force when clearing obstructions.

- 12 Using image guidance systems (IGS):** Any blade or burr listed in the image guidance systems compatible blades/burrs table (please refer to section 2.15 of the IFU) can be used with the BRAINLAB optical image guidance system by attaching the universal adapter (provided by BRAINLAB) to the boss attachment point on the declog tube set.



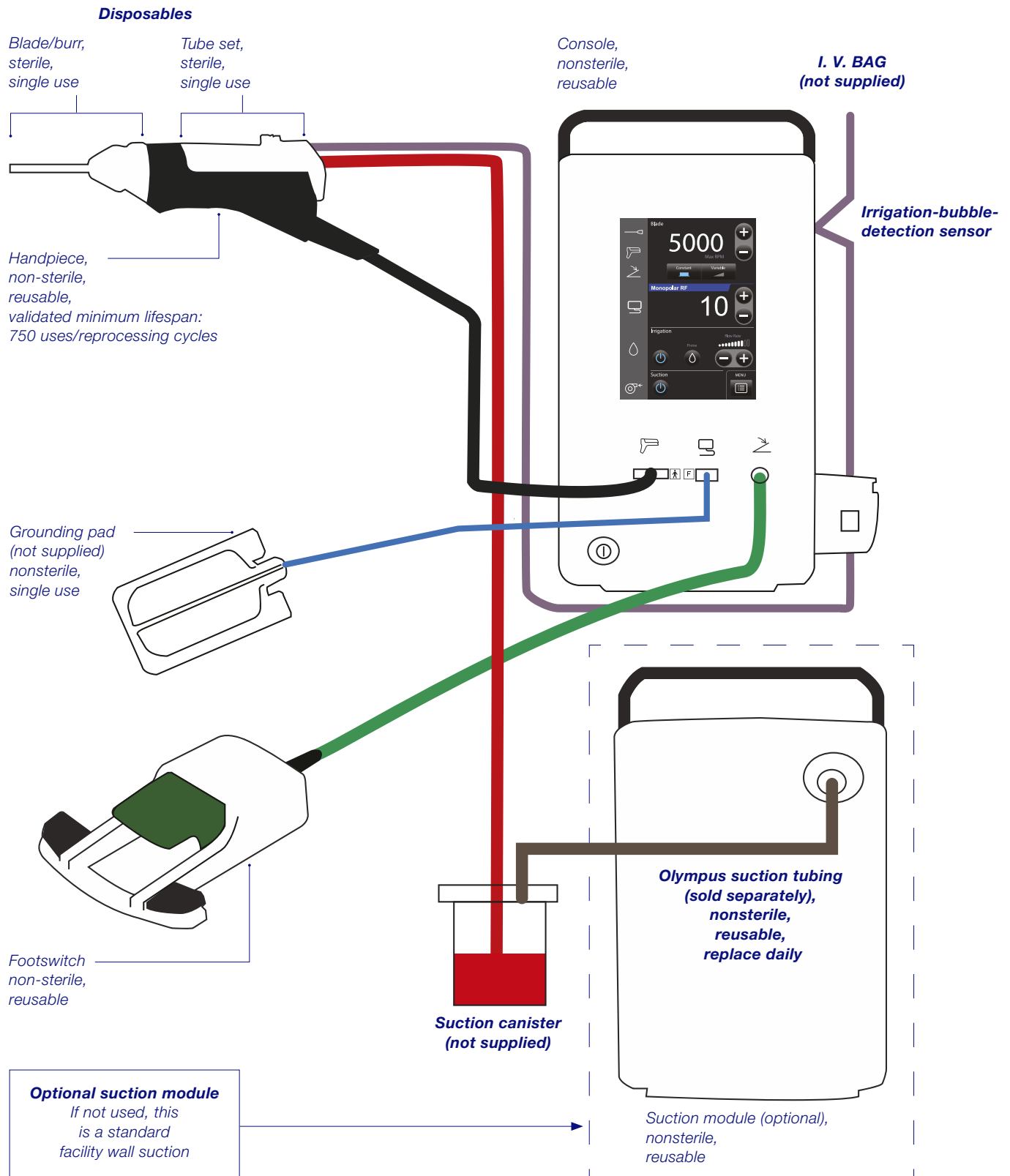
- 13 End of procedure:** Turn the unit off. Disconnect the handpiece and grounding pad from the console. Press both blade release buttons to remove the blade. Squeeze the tube-set release to remove the tubing from the handpiece. Immediately following the case, wipe the handpiece with a moistened cloth. Clean, disinfect, and sterilize the handpiece according to IFU instructions.



This setup guide is only a summary of the DIEGO ELITE **instructions for use** (IFU). For detailed operating instructions, be sure to follow the DIEGO ELITE instruction manual that was included with your device when purchased.

Specifications, design, and accessories are subject to change without any notice or obligation on the part of the manufacturer.

SETUP AND OPERATION SYSTEM CHART



AVAILABLE DISPOSABLES

Item	Part no.	Description
Tube set	EGTS100S	DIEGO ELITE tube set, standard, 5/pkg.
Declog tube set	EGTS101DC	DIEGO ELITE tube set, declog, 5/pkg.
Suction tubing	EGTS102SF	Suction module tube set, suction/filter, 5/pkg.
4 mm, straight	EGSB4000SS	Shaver blade, 4 mm, straight, standard, serrated, DS, 5/pkg.
4 mm, curved	EGSB4015SS	Shaver blade, 4 mm, 15° standard, serrated, DS, 5/pkg.
	EGSB4040SS	Shaver blade, 4 mm, 40° standard, serrated, DS, 5/pkg.
	EGSB4040RS	Shaver blade, 4 mm, 40° rotatable, serrated, DS, 5/pkg.
	EGSB4060SS	Shaver blade, 4 mm, 60° standard, serrated, DS, 5/pkg.
	EGSB4060RS	Shaver blade, 4 mm, 60° rotatable, serrated, DS, 5/pkg.
	EGSB4090RS	Shaver blade, 4 mm, 90° rotatable, serrated, DS, 5/pkg.
Turbinate	EGBB2000SA	Bipolar blade, 2 mm, straight, standard, type A, SMR, 5/pkg.
	EGSB2000SA	Shaver blade, 2 mm, straight, standard, type A, 5/pkg.
4 mm, type A	EGSB4000SA	Shaver blade, 4 mm, straight, standard, type A, 5/pkg.
Burrs	EGBUR4070DT	Burr, 4 mm, 70°, diamond taper, 5/pkg.
	EGBUR4015DT	Burr, 4 mm, 15°, diamond taper, 5/pkg.
	EGBUR3015DB	Burr, 3 mm, 15°, diamond bullet, 5/pkg.
	EGBUR4515BB	Burr, 4.5 mm, 15°, ball burr, 5/pkg.
	EGBUR4215FB	Burr, 4.2 mm, 15°, fluted barrel, 5/pkg.
	EGBUR3070DB	Burr, 3 mm, 70°, diamond bullet, 5/pkg.
Malleable T/A	EGMM4000SS	Malleable, monopolar, 4 mm, T/A, DS, 5/pkg.
	EGMS4000SS	Malleable, standard, 4 mm, T/A, DS, 5/pkg.
2.9 mm	EGSB2900SS	Shaver blade, 2.9 mm, straight, serrated, DS, 5/pkg.
	EGSB2975SS	Shaver blade, 2.9 mm, 75°, standard, serrated, DS, 5/pkg.
	EGSB2940SS	Shaver blade, 2.9 mm, 40°, standard, serrated, DS, 5/pkg.
Bipolar	EGBB4000SS	Bipolar blade, 4 mm straight, standard, serrated, DS, 5/pkg.
	EGBB4040XS	Bipolar blade, 4 mm 40°, convex, serrated, DS, 5/pkg.
	EGBB4040SS	Bipolar blade, 4 mm 40°, standard, serrated, DS, 5/pkg.
Laryngeal	EGLB2922SS	Laryngeal blade, 2.9 mm, 22 cm, standard, superficial, 5/pkg.
	EGLB2927SS	Laryngeal blade, 2.9 mm, 27 cm, standard, superficial, 5/pkg.
	EGLB4022SD	Laryngeal blade, 4.0 mm, 22 cm, standard, debulking, 5/pkg.
	EGLB4027SD	Laryngeal blade, 4.0 mm, 27 cm, standard, debulking, 5/pkg.
4.8 mm, type A	EGSB4800SA	Shaver blade, 4.8 mm, straight, type A plus, 5/pkg.
Monopolar sinus	EGMB4000SS	Monopolar blade, 4 mm, straight, standard, serrated, DS, 5/pkg.

Local contact

Specifications, design, and accessories are subject to change without any notice or obligation on the part of the manufacturer.

OLYMPUS

OLYMPUS EUROPA SE & CO. KG

Postbox 10 49 08, 20034 Hamburg, Germany
Wendenstrasse 14-18, 20097 Hamburg, Germany
Phone: +49 (0)40 237 730, Fax: +49 (0)40 230 761
www.olympus-europa.com